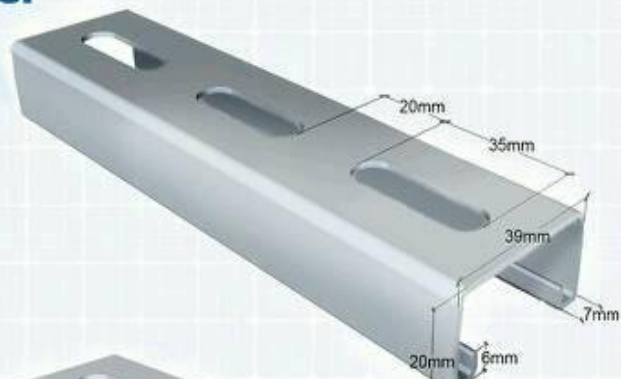


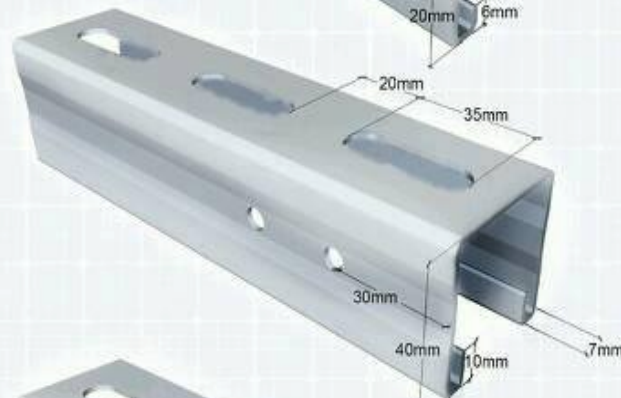
Mounting systems

Galvanized Steel

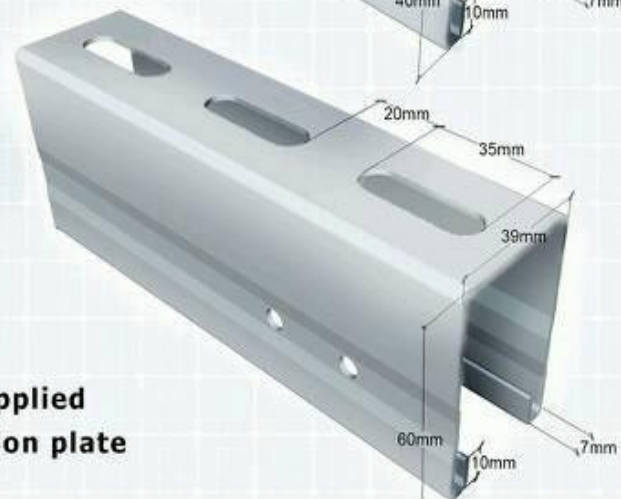
H*W*Thickness
20mm x 40 x 2mm



H*W*Thickness
40mm x 40 x 2mm



H*W*Thickness
60mm x 40 x 2mm

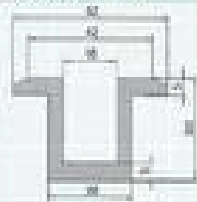


length: As required supplied
with adjusted foundation plate

Mounting Brackets connections

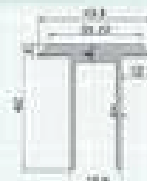
Press Block Series

EG-27011



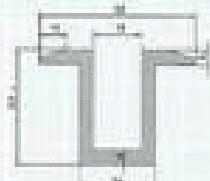
1.228kg

EG-27014



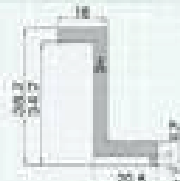
0.917kg

EG-27012



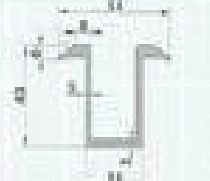
1.58kg

EG-07001



0.699kg

EG-27013



1.194kg

EG-07002



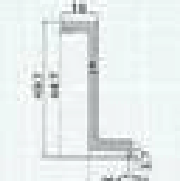
0.753kg

EG-27014



0.219kg

EG-07003



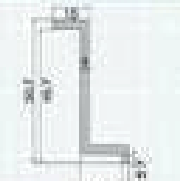
0.887kg

EG-27015



0.998kg

EG-07004



0.971kg

